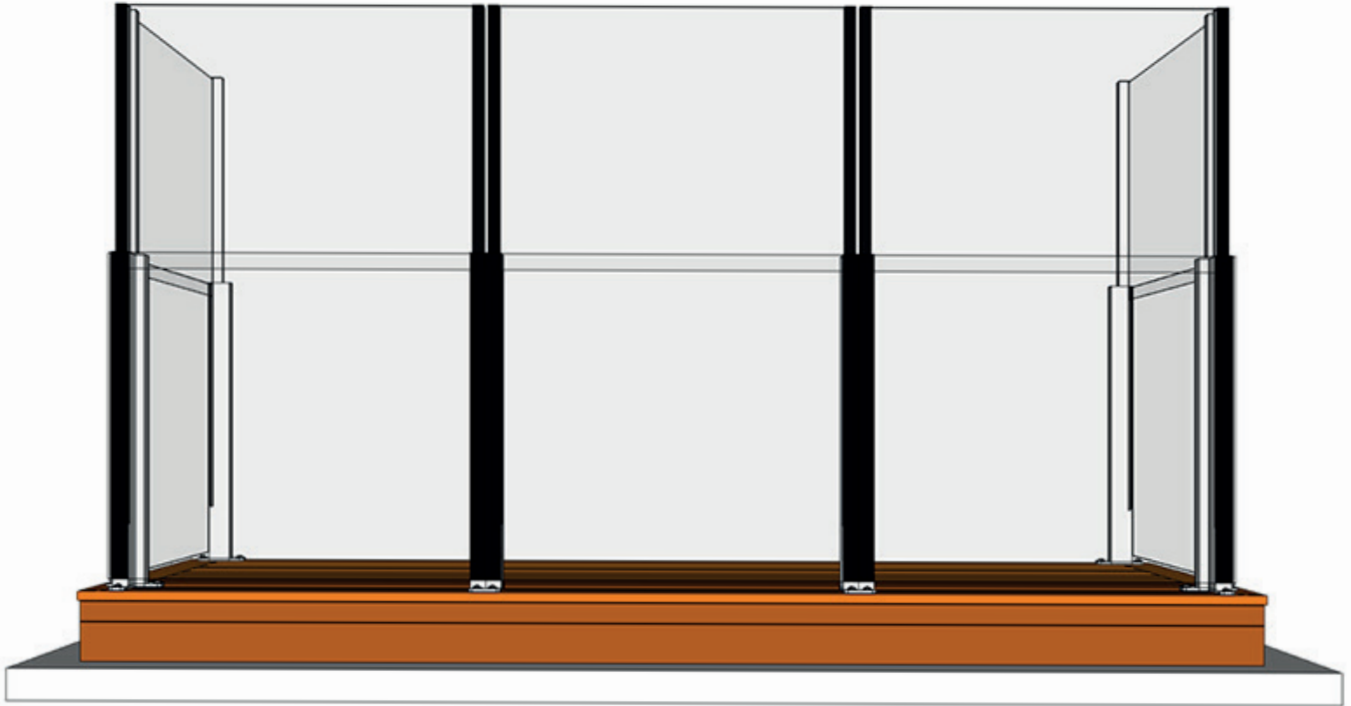




The Construction Guide

ClickitUp® Glass Railing



ClickitUp®
by ErgoSafe™

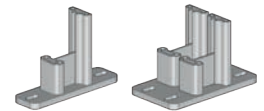
Table of Contents

ATTACHMENT

Concrete Attachments 4
 Wooden Attachments 5

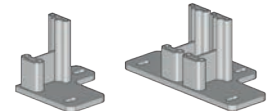
STANDARD

Ground Bracket Placement 6
 Ground Bracket Measurements 7
 Dimensional Diagram 10



INSIDE

Ground Bracket Placement 8
 Ground Bracket Measurements 9
 Dimensional Diagram 11



Designed and manufactured in Sweden. ErgoSafe's glass balustrade marketed under the ClickitUp® brand is design protected through: EU 002416248-0001-0005 (March 2014), GB 90024162480001-0005, EU 015096653-0001-0002, GB, NO DM/2513503. The design protection means that no other party within the EU, the United Kingdom or Norway has the legal right to manufacture, sell or import copies of ErgoSafe's glass balustrades.

The ultimate guide to a flawless ClickitUp® Glass Railing experience.

THE CONSTRUCTION GUIDE – Guiding you from purchase to installation

The Construction Guide is your comprehensive guide to achieving the perfect installation of ClickitUp® glass railing. Whether starting from scratch or adapting an existing foundation, we'll provide essential insights before ordering and installation. Factors such as location, base, product, and ground mount will influence your decision-making process.

The Construction Guide offers invaluable information on securing various foundations, our array of ground attachments, and a detailed measurement chart. Our goal is to help you achieve outstanding results with ErgoSafe's glass railings.

Discover our diverse range of glass railings

Our ClickitUp® series boasts an array of glass railing options, all delivered as complete sections. We provide glass railings for ground level, balconies, and integration with existing railings. Choose from height-adjustable or fixed sections with custom widths between 1000 and 2000 mm, or standard widths ranging from 1000 mm to 2000 mm in 100 mm increments. Note that the maximum width for balcony railings is 1800 mm.

Foundation, attachment, and ground attachments

Our versatile glass railings can be installed on both wood and concrete. For inquiries about mounting on steel, contact us, and our experts will guide you. Follow specific guidelines based on the foundation and the type of ground attachment: standard or inside.

The Construction Guide thoroughly explains our ground attachments and their optimal placement for stability and security. Before purchasing, ensure you're familiar with the ground attachment design and any adjustments required for a seamless installation tailored to your needs. All dimensions are provided in millimetres.

Adapting the foundation for our standard sections is easier during new construction projects. Please be aware that the guidelines and advice in the Construction Guide are general and may not be suitable for everyone. Should you feel uncertain, don't hesitate to consult a professional.

Rest assured, we're with you every step of the way – from consultation to installation!

We hope the Construction Guide enables you to achieve the best possible outcome!

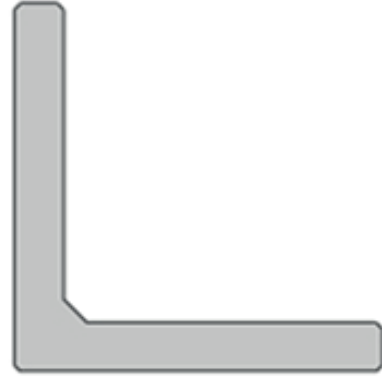
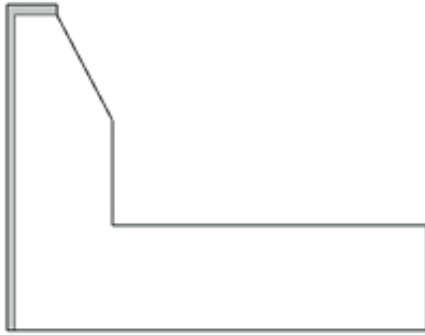
PLEASE FEEL FREE TO CONTACT US WITH ANY QUESTIONS OR CONCERNS.

Together, we'll find the ideal solution for your outdoor environment!

Best of luck with your construction project!

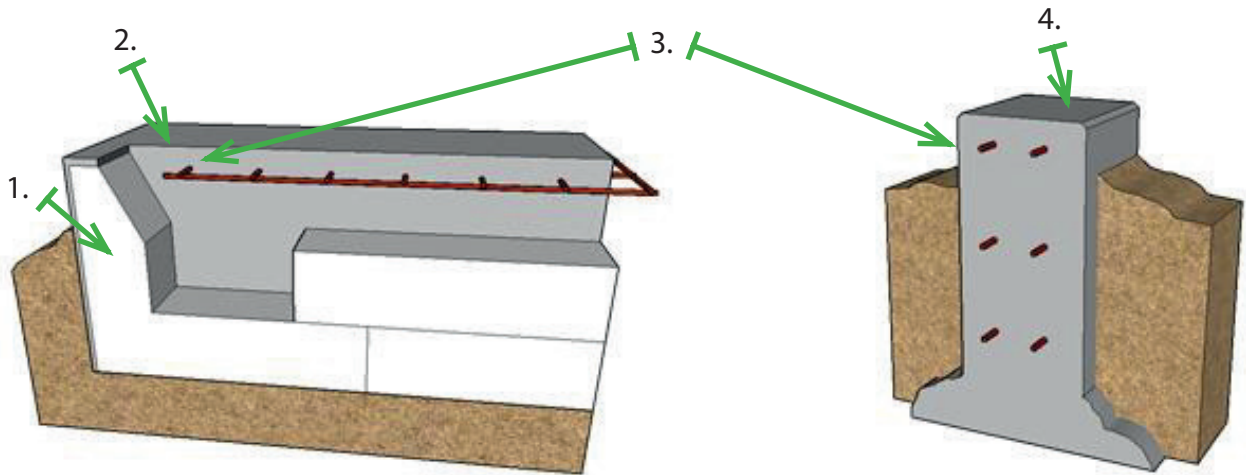
Concrete Attachments

Various attachment techniques are available when working with concrete foundations. Always adhere to the recommendations provided by the attachment manufacturer.



Edge elements offer support and insulation during the casting of a concrete house foundation. Primarily, edge elements consist of expanded polystyrene with a thin fibre cement layer.

L-supports are utilised for supporting slopes and areas with height differences. Constructed from concrete.

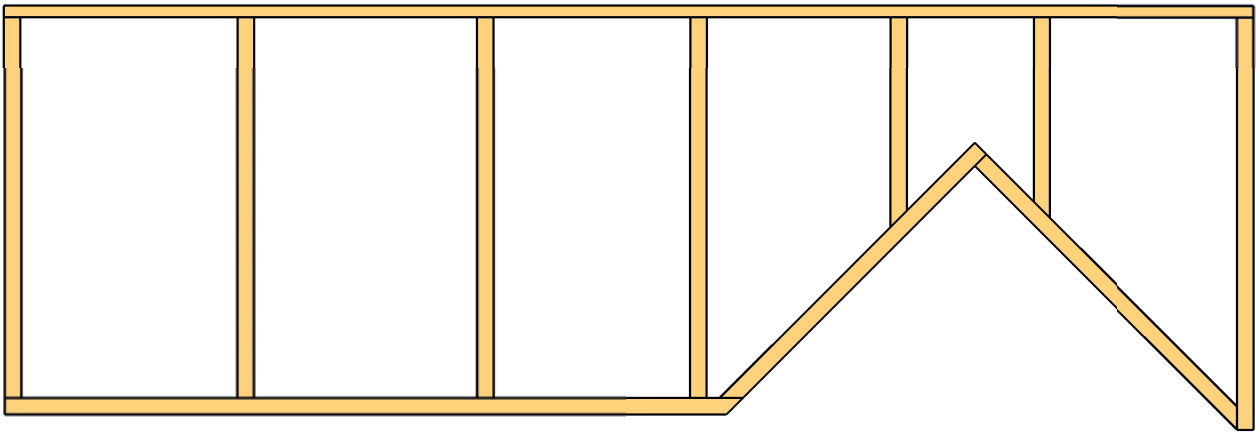


1. When edge elements are part of the construction, it's vital to anchor them in concrete rather than in the expanded polystyrene component.
2. Ensure you have adequate material for attachment when measuring the placement of your glass railing.
3. Attaching in concrete always carries the risk of hitting reinforcement. If possible, position the reinforcement so it doesn't coincide with the attachment holes.
4. Drilling too close to the edge may lead to cracks in the concrete. The screw manufacturer will provide information on the minimum required distance from the edge, which varies depending on your chosen attachment technique.

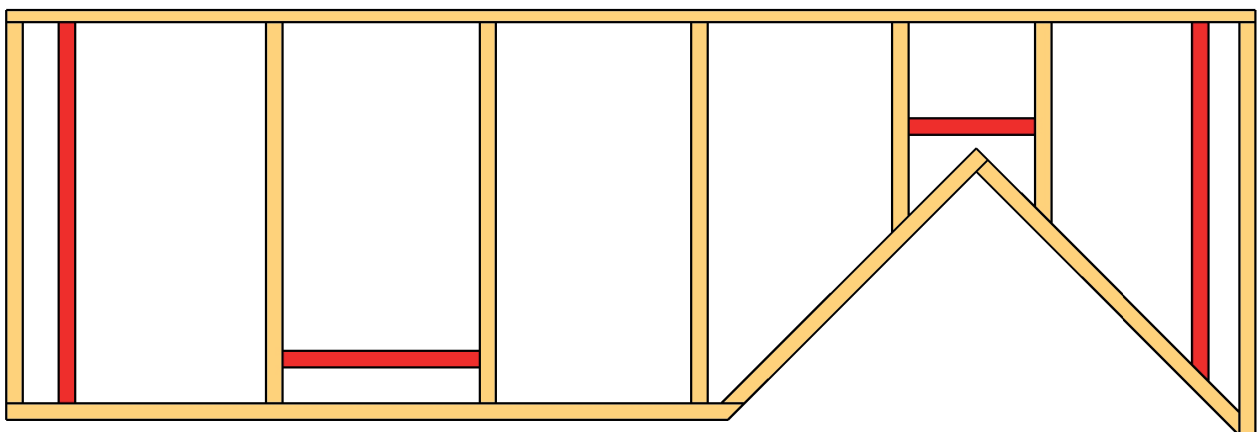
Wooden Attachments

It is crucial that our ground brackets are secured into the load-bearing structure, not the wooden decking. Always use a washer with the screw during assembly.

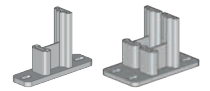
The existing framework requires reinforcement to mount sections on a stable foundation. These reinforcements are referred to as shortening. Refer to the following pages for measurements on placing reinforcements that correspond to the ground bracket you'll be using.



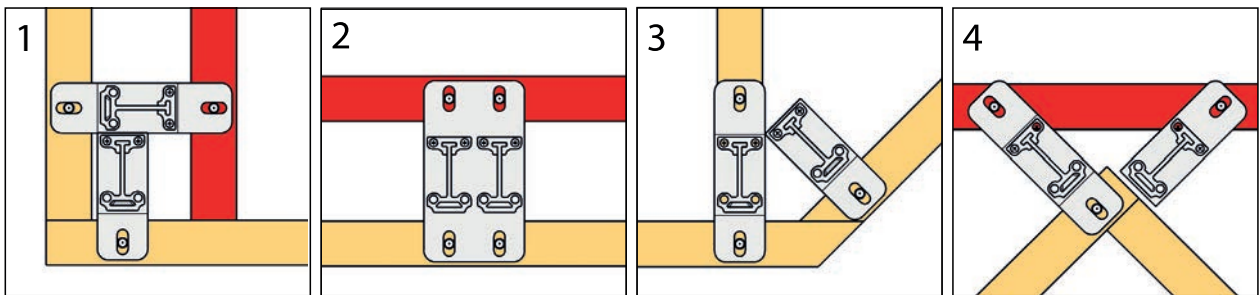
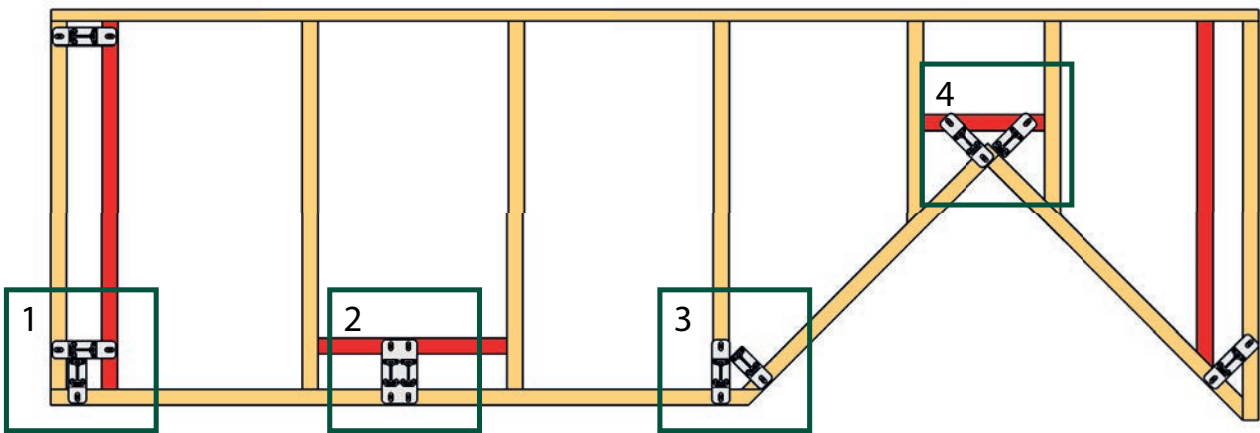
Above: Existing framework.



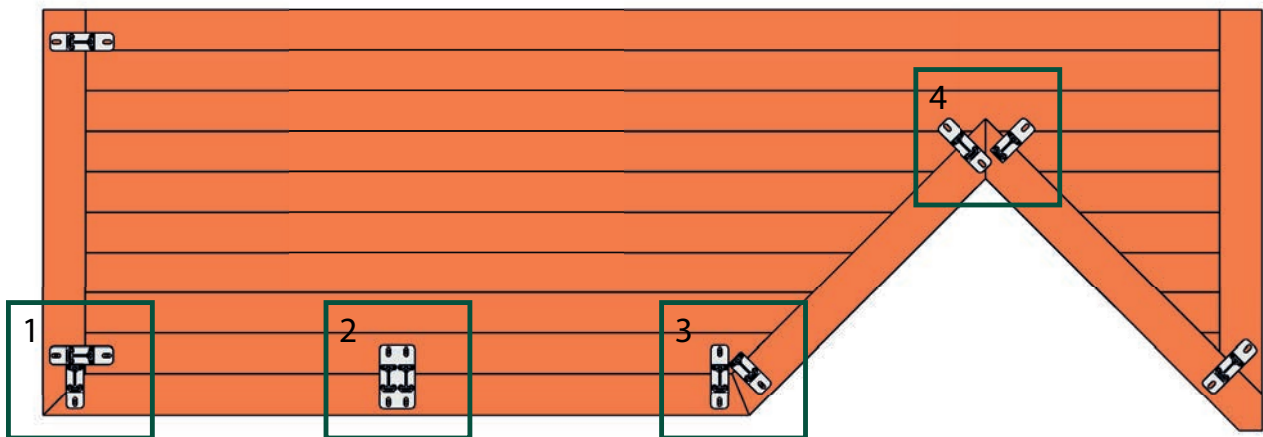
Above: Existing framework enhanced with reinforcements.

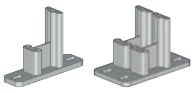


Ground Bracket Placement - Standard



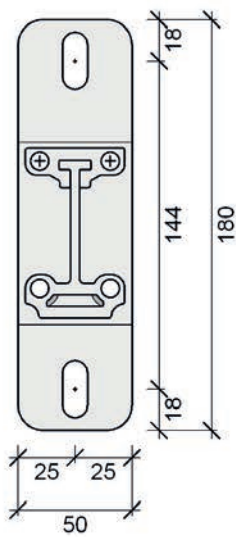
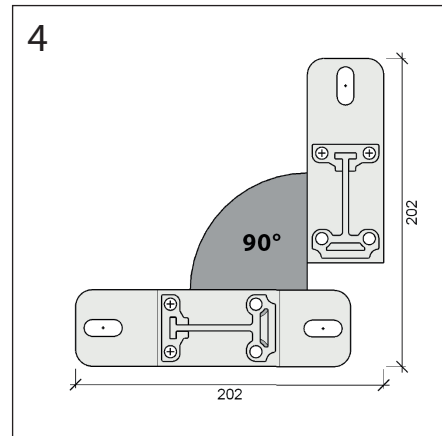
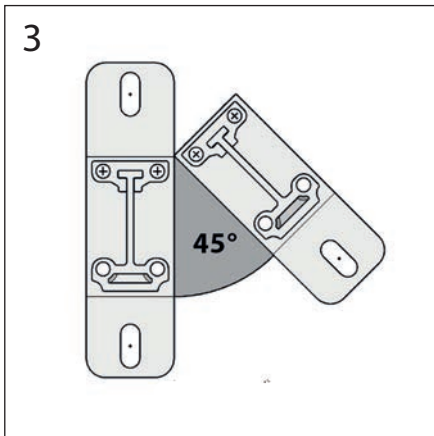
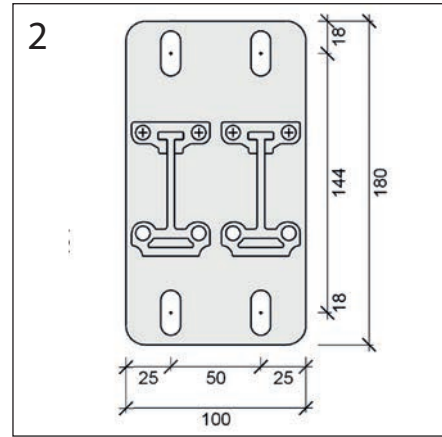
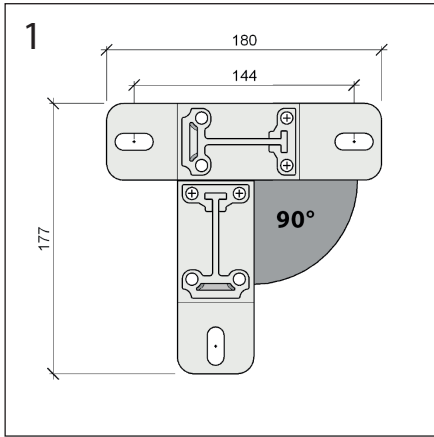
1. Placement of 90° corner ground bracket.
2. Placement of straight stretch ground bracket.
3. Position the ground bracket at a 45° angle.
4. Place the ground bracket for a 90° inward corner.



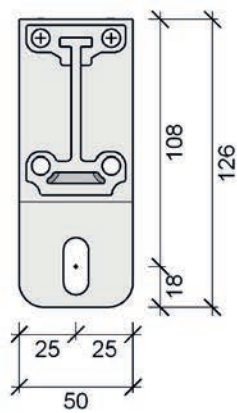


Ground Bracket Measurements - Standard

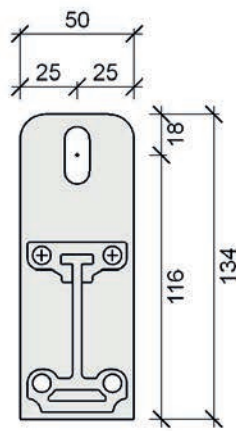
TOP VIEW



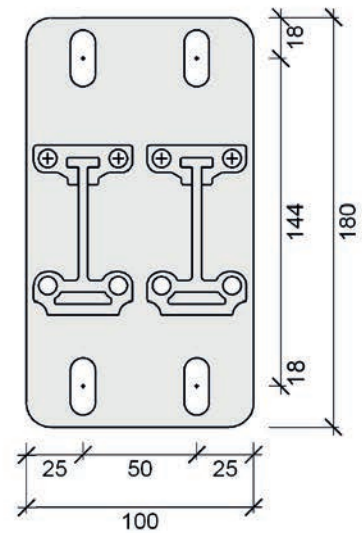
SINGLE



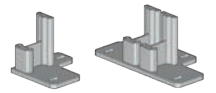
SINGLE, CUT
inside



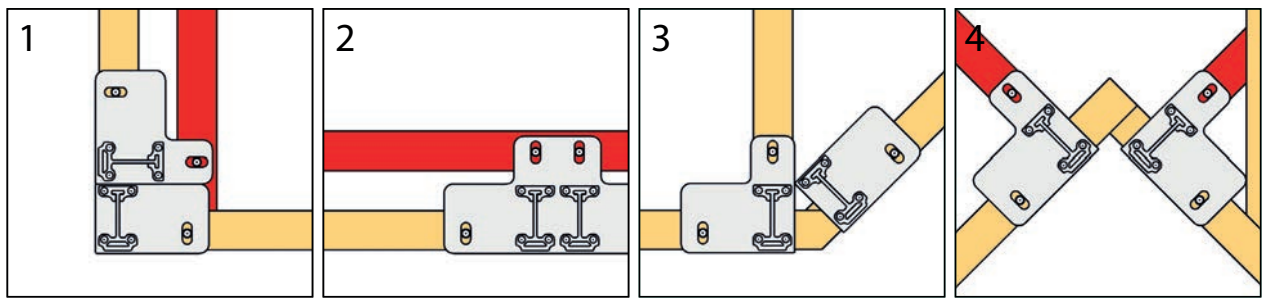
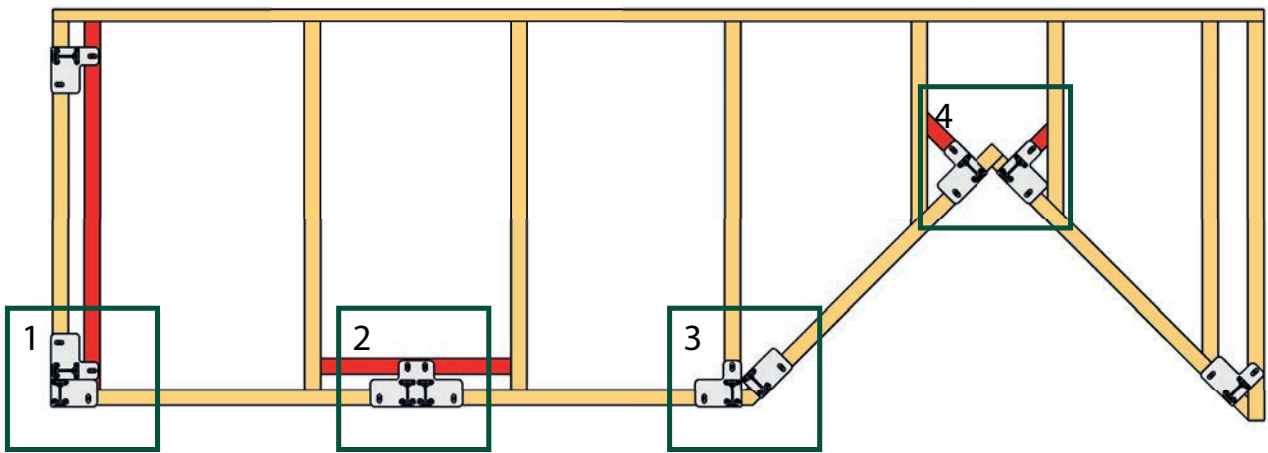
SINGLE, CUT
outside



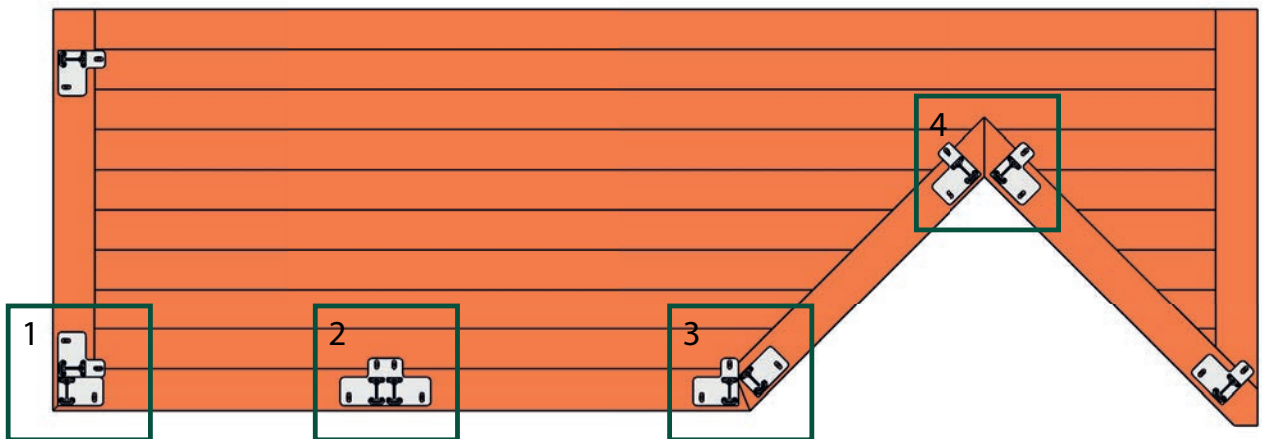
DOUBLE

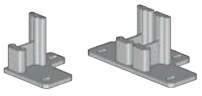


Ground Bracket Placement - Inside



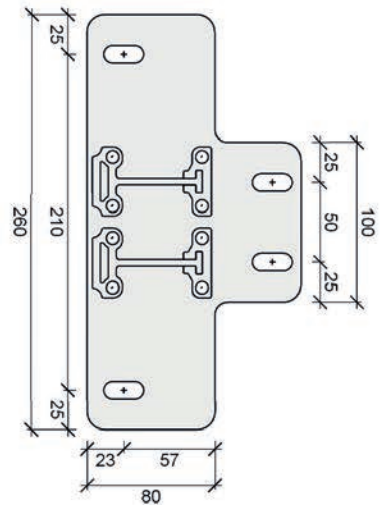
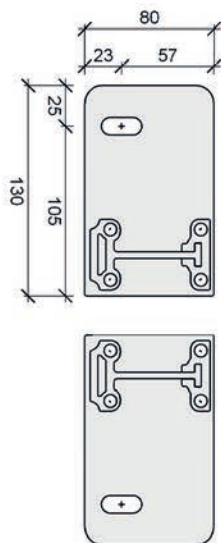
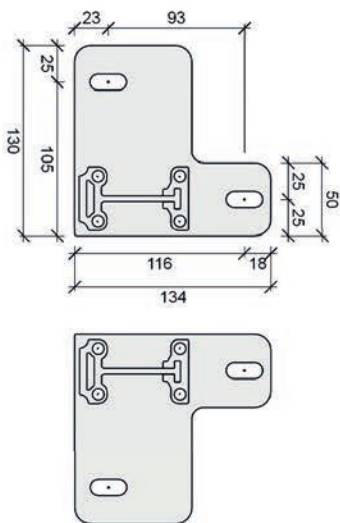
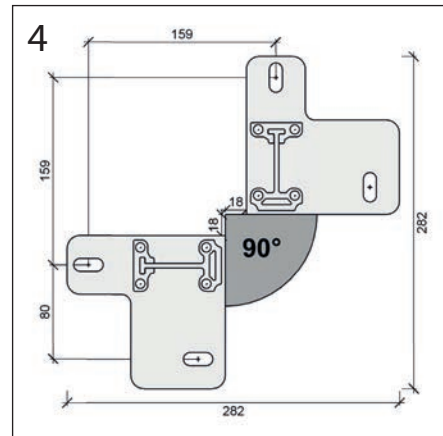
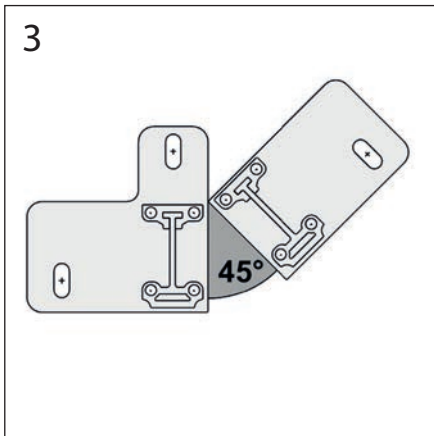
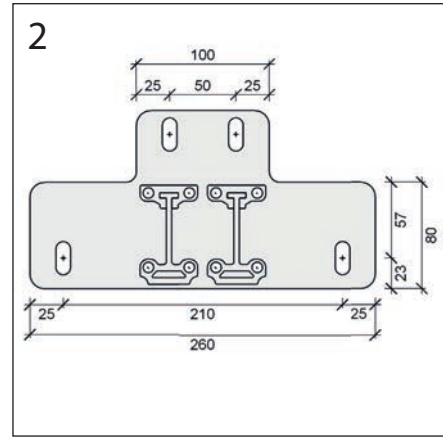
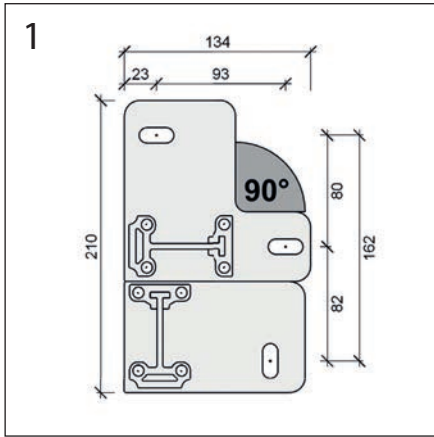
1. Placement of 90° corner ground bracket.
2. Placement of straight stretch ground bracket.
3. Position the ground bracket at a 45° angle.
4. Place the ground bracket for a 90° inward corner.





Ground Bracket Measurements – Inside

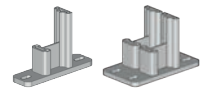
TOP VIEW



SINGLE
right and left

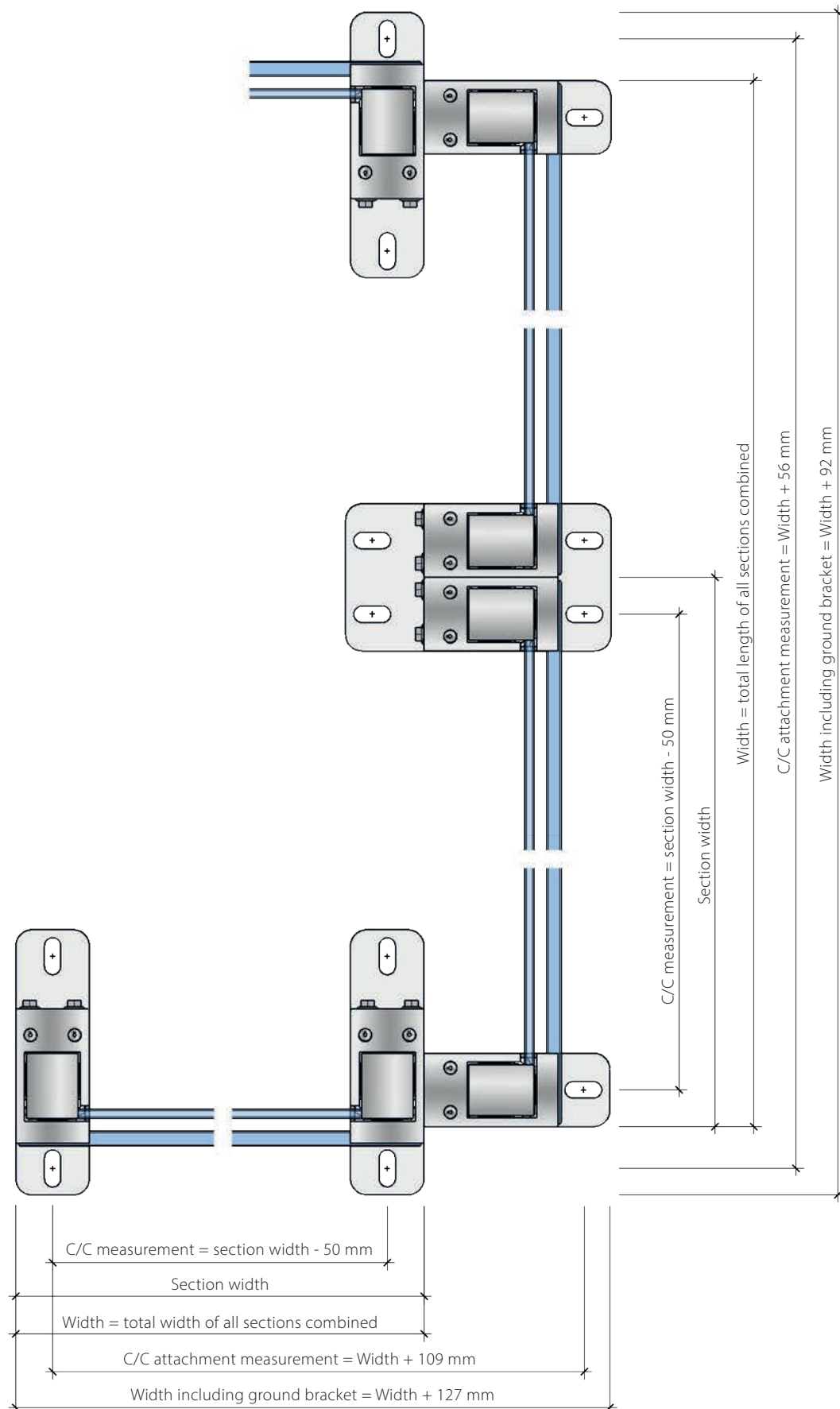
SINGLE, CUT
right and left

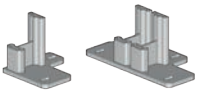
DOUBLE



Dimensional Diagram – Standard

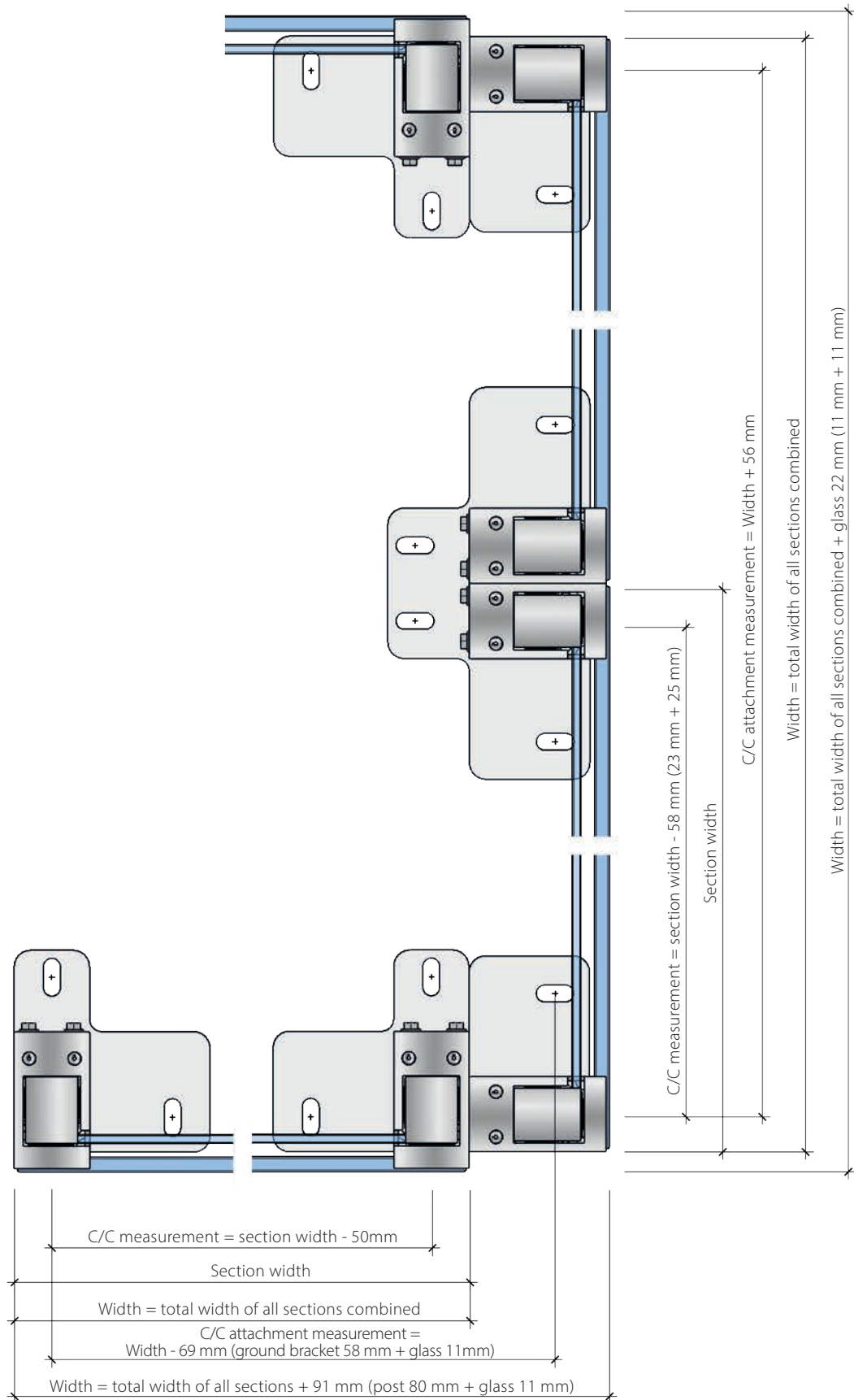
TOP VIEW





Dimensional Diagram – Inside

TOP VIEW





ClickitUp[®]

by ErgoSafe[®]